

EMC shield clamps, single

for direct mounting via rivets



Made in
Germany



RoHS
compliant



EMC shield clamps are used, where the shield of cables must be connected to the earth potential. They are easy to use and effective in earthing single cable shields.

The EMC cable clamps offer a large contact area to the cable shield. In comparison to conventional shielding brackets an up to 50% higher contact area can be achieved when using icotek EMC shield clamps. The specified clamping range can be exceeded up to 10%.

Due to its special design the clamping ranges of the MSKL are very large while the dimensions are comparatively small. (Example: MSKL 3-12, assembled with a 12 mm cable shield: width 26.25 mm).

The shield clamps can be easily attached via rivet.

Specifications

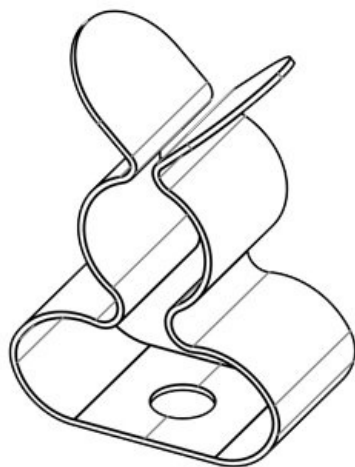
| | |
|-------------------------|-----------------------------------------|
| Material | Shield clamp: Spring steel, zinc plated |
| Mounting options | Riveting |

Advantages & benefits

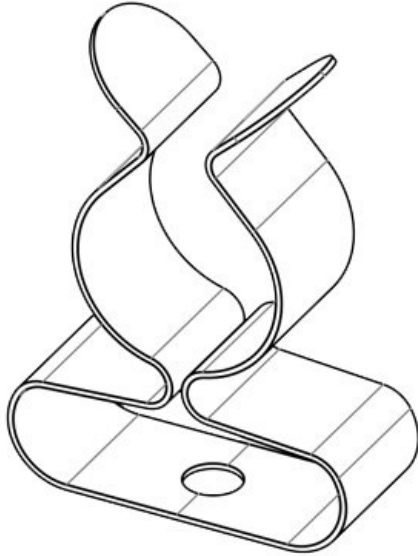
- Large contact area
- Shield contact and strain relief separated
- The spring design requires no adjustments and will permanently maintain contact to the cable shield
- Space-saving design, even when fully assembled
- MSKL: Large clamping areas, therefore less product sizes needed to cover a large cable diameter range
- Shock and vibration resistant, maintenance free

Product types & sizes

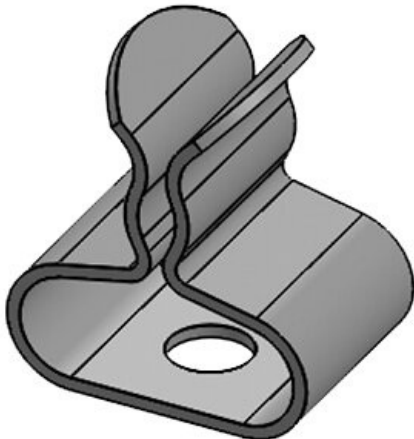
MSKL 3-12



| | | | |
|------------------------|-------------------|-------------------|----------------|
| Part No. | 37600 | Min. shield diam. | 3 mm |
| EAN | 4251269316 | Max. shield diam. | 12 mm |
| Package quantity | 50 | Length | 8 mm |
| No. of shield clamps | 1 | Width | 15 mm |
| Shield clamp type | MSKL | Height | 20,5 mm |
| For max. no. of cables | 1 | | |
| Shield diameter | 3 - 12 mm | | |



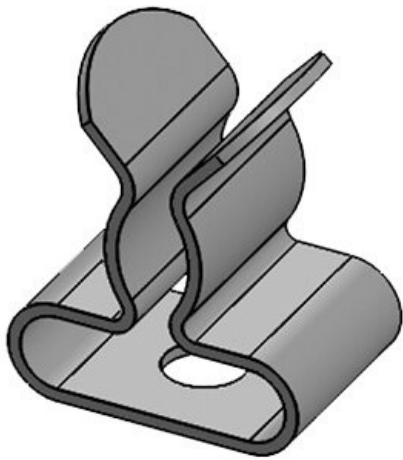
| | | | |
|------------------------|-------------------|-------------------|--------------|
| Part No. | 37602 | Min. shield diam. | 8 mm |
| EAN | 4251269316 | Max. shield diam. | 18 mm |
| Package quantity | 50 | Length | 8 mm |
| No. of shield clamps | 1 | Width | 20 mm |
| Shield clamp type | MSKL | Height | 27 mm |
| For max. no. of cables | 1 | | |
| Shield diameter | 8 - 18 mm | | |



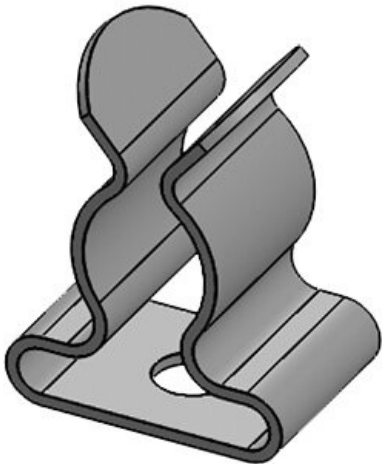
| | | | |
|------------------------|-------------------|----------------------|----------------|
| Part No. | 36200 | Min. shield diam. | 1,5 mm |
| EAN | 4251269302 | Max. shield diam. | 3 mm |
| Package quantity | 50 | Length | 8 mm |
| No. of shield clamps | 1 | Width | 11,8 mm |
| Shield clamp type | SKL | Height | 13 mm |
| For max. no. of cables | 1 | No. of screw holes | 1 |
| Shield diameter | 1,5 - 3 mm | Diam. of screw holes | 3,2 mm |

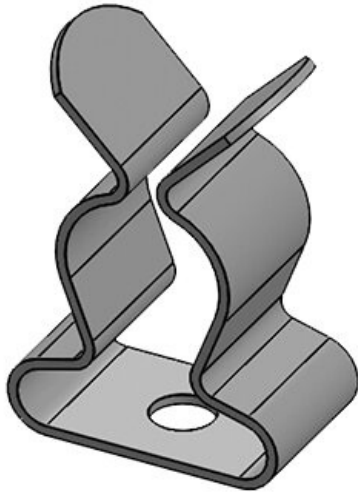
SKL 3-6

| | | | |
|-----------------|-------------------|----------------|----------------|
| Part No. | 36202 | Min. shield | 3 mm |
| EAN | 4251269302 | diam. | |
| | 107 | Max. shield | 6 mm |
| Package | 50 | diam. | |
| quantity | | Length | 8 mm |
| No. of shield | 1 | Width | 11,8 mm |
| clamps | | Height | 13,6 mm |
| Shield clamp | SKL | No. of screw | 1 |
| type | | holes | |
| For max. no. of | 1 | Diam. of screw | 3,2 mm |
| cables | | holes | |
| Shield | 3 - 6 mm | | |
| diameter | | | |

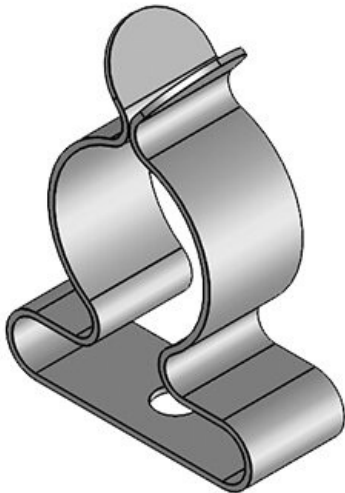
**SKL 6-8**

| | | | |
|-----------------|-------------------|----------------|----------------|
| Part No. | 36204 | Min. shield | 6 mm |
| EAN | 4251269302 | diam. | |
| | 114 | Max. shield | 8 mm |
| Package | 50 | diam. | |
| quantity | | Length | 8 mm |
| No. of shield | 1 | Width | 11,8 mm |
| clamps | | Height | 15 mm |
| Shield clamp | SKL | No. of screw | 1 |
| type | | holes | |
| For max. no. of | 1 | Diam. of screw | 3,2 mm |
| cables | | holes | |
| Shield | 6 - 8 mm | | |
| diameter | | | |





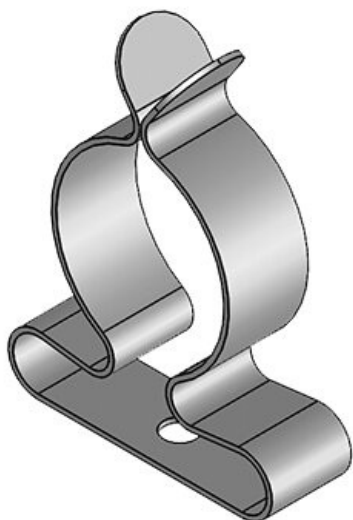
| | | | |
|-----------------|-------------------|----------------|---------------|
| Part No. | 36205 | Min. shield | 8 mm |
| EAN | 4251269302 | diam. | |
| | 121 | Max. shield | 11 mm |
| Package | 50 | diam. | |
| quantity | | Length | 8 mm |
| No. of shield | 1 | Width | 14 mm |
| clamps | | Height | 20 mm |
| Shield clamp | SKL | No. of screw | 1 |
| type | | holes | |
| For max. no. of | 1 | Diam. of screw | 3,2 mm |
| cables | | holes | |
| Shield | 8 - 11 mm | | |
| diameter | | | |



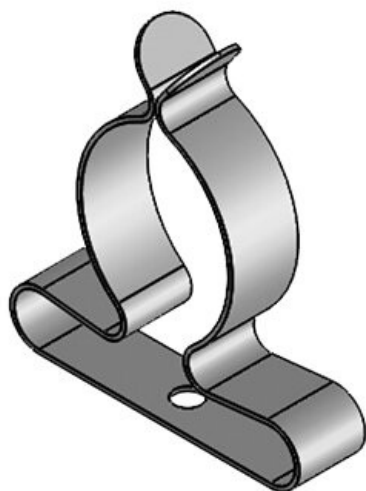
| | | | |
|-----------------|-------------------|----------------|---------------|
| Part No. | 36206 | Min. shield | 11 mm |
| EAN | 4251269302 | diam. | |
| | 138 | Max. shield | 17 mm |
| Package | 50 | diam. | |
| quantity | | Length | 8 mm |
| No. of shield | 1 | Width | 21 mm |
| clamps | | Height | 27 mm |
| Shield clamp | SKL | No. of screw | 1 |
| type | | holes | |
| For max. no. of | 1 | Diam. of screw | 3,2 mm |
| cables | | holes | |
| Shield | 11 - 17 mm | | |
| diameter | | | |

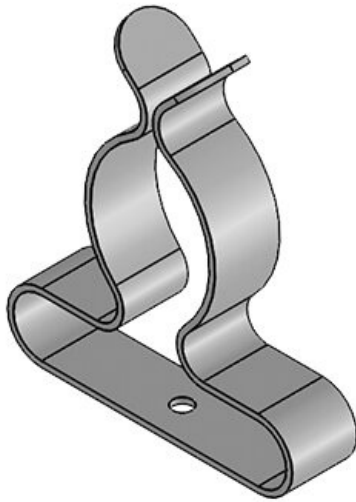
SKL 17-22

| | | | |
|-----------------|-------------------|----------------|----------------|
| Part No. | 36207 | Min. shield | 17 mm |
| EAN | 4251269302 | diam. | |
| | 145 | Max. shield | 22 mm |
| Package | 50 | diam. | |
| quantity | | Length | 8 mm |
| No. of shield | 1 | Width | 26,5 mm |
| clamps | | Height | 34,5 mm |
| Shield clamp | SKL | No. of screw | 1 |
| type | | holes | |
| For max. no. of | 1 | Diam. of screw | 3,2 mm |
| cables | | holes | |
| Shield | 17 - 22 mm | | |
| diameter | | | |

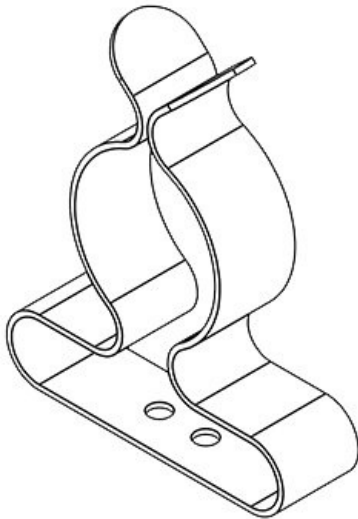
**SKL 22-30**

| | | | |
|-----------------|-------------------|----------------|----------------|
| Part No. | 36208 | Min. shield | 22 mm |
| EAN | 4251269302 | diam. | |
| | 152 | Max. shield | 30 mm |
| Package | 50 | diam. | |
| quantity | | Length | 8 mm |
| No. of shield | 1 | Width | 35 mm |
| clamps | | Height | 39,2 mm |
| Shield clamp | SKL | No. of screw | 1 |
| type | | holes | |
| For max. no. of | 1 | Diam. of screw | 3,2 mm |
| cables | | holes | |
| Shield | 22 - 30 mm | | |
| diameter | | | |





| | | | |
|-----------------|-------------------|----------------|----------------|
| Part No. | 36209 | Min. shield | 30 mm |
| EAN | 4251269302 | diam. | |
| | 169 | Max. shield | 38 mm |
| Package | 5 | diam. | |
| quantity | | Length | 13 mm |
| No. of shield | 1 | Width | 46,5 mm |
| clamps | | Height | 62,5 mm |
| Shield clamp | SKL | No. of screw | 1 |
| type | | holes | |
| For max. no. of | 1 | Diam. of screw | 5,2 mm |
| cables | | holes | |
| Shield | 30 - 38 mm | | |
| diameter | | | |



| | | | |
|-----------------|-------------------|----------------|----------------|
| Part No. | 36213 | Min. shield | 38 mm |
| EAN | 4251269302 | diam. | |
| | 176 | Max. shield | 48 mm |
| Package | 5 | diam. | |
| quantity | | Length | 13 mm |
| No. of shield | 1 | Width | 48,5 mm |
| clamps | | Height | 71,5 mm |
| Shield clamp | SKL | No. of screw | 2 |
| type | | holes | |
| For max. no. of | 1 | Diam. of screw | 5,2 mm |
| cables | | holes | |
| Shield | 38 - 48 mm | | |
| diameter | | | |

SKL 44-56

| | | | |
|-----------------|-------------------|----------------|----------------|
| Part No. | 36216 | Min. shield | 44 mm |
| EAN | 4251269322 | diam. | |
| | 754 | Max. shield | 56 mm |
| Package | 5 | diam. | |
| quantity | | Length | 13 mm |
| No. of shield | 1 | Width | 47 mm |
| clamps | | Height | 60,5 mm |
| Shield clamp | SKL | No. of screw | 2 |
| type | | holes | |
| For max. no. of | 1 | Diam. of screw | 3,7 mm |
| cables | | holes | |
| Shield | 44 - 56 mm | | |
| diameter | | | |



SKL 56-68

| | | | |
|-----------------|-------------------|----------------|----------------|
| Part No. | 36217 | Min. shield | 56 mm |
| EAN | 4251269322 | diam. | |
| | 761 | Max. shield | 68 mm |
| Package | 5 | diam. | |
| quantity | | Length | 19 mm |
| No. of shield | 1 | Width | 55 mm |
| clamps | | Height | 72,5 mm |
| Shield clamp | SKL | No. of screw | 2 |
| type | | holes | |
| For max. no. of | 1 | Diam. of screw | 4,8 mm |
| cables | | holes | |
| Shield | 56 - 68 mm | | |
| diameter | | | |





| | | | |
|-----------------|-------------------|----------------|----------------|
| Part No. | 36218 | Min. shield | 68 mm |
| EAN | 4251269322 | diam. | |
| | 778 | Max. shield | 75 mm |
| Package | 5 | diam. | |
| quantity | | Length | 19 mm |
| No. of shield | 1 | Width | 69,5 mm |
| clamps | | Height | 91 mm |
| Shield clamp | SKL | No. of screw | 2 |
| type | | holes | |
| For max. no. of | 1 | Diam. of screw | 4,9 mm |
| cables | | holes | |
| Shield | 68 - 75 mm | | |
| diameter | | | |